

MR-1000RII

(10-inch CRT, Radome Scanner)

MR-1000TII

(10-inch CRT, Open Array Scanner)



● 10-inch Display Unit

New Simplified Automatic Tracking Aid Function Provides Reliable Collision Avoidance

- Powerful 4kW output power
- Two types of scanner units available

MR-1000TII :
120cm open
array scanner
observes up to
48nm



MR-1000RII :
60cm radome
scanner
observes up to
36nm



- 8-level bright picture on 10-inch monochrome green CRT
- Simplified Automatic Tracking Aid function
See overleaf for details.
- External GPS and Compass data input with NMEA0183, N+1, AUX format
- English and Korean indication
- North-up, Course-up, Head-up & True-motion

Bearing, speed and position data required. Depends on display mode.

OTHER FEATURES

- The MR-1000RII/TII provides many useful features : 2 EBL's, 2 VRM's, SEA clutter, RAIN clutter, Off center, Interference reduction, Echo stretch, Zoom, Trail, long pulse and automatic calibration function.
- When connected to the GPS and/or compass, the MR-1000RII/TII displays the following information: Course-up, North-up, True motion indication, own and other vessel's speed, position and course, waypoint and man overboard point.

- Simplified Automatic Tracking Aid allows you to plot up to 10 targets and the radar automatically traces the targets.
- The CPA (Closest Point Approach) and TCPA (Time to CPA) alarm gives an audible warning when the tracking targets come within the set range or time.
- Power saver function pauses the scanning for a preset time and conserves battery consumption. When used with the zone alarm function, the CRT display is turned off until an object enters the programmed alarm zone.

SPECIFICATIONS

DISPLAY UNIT

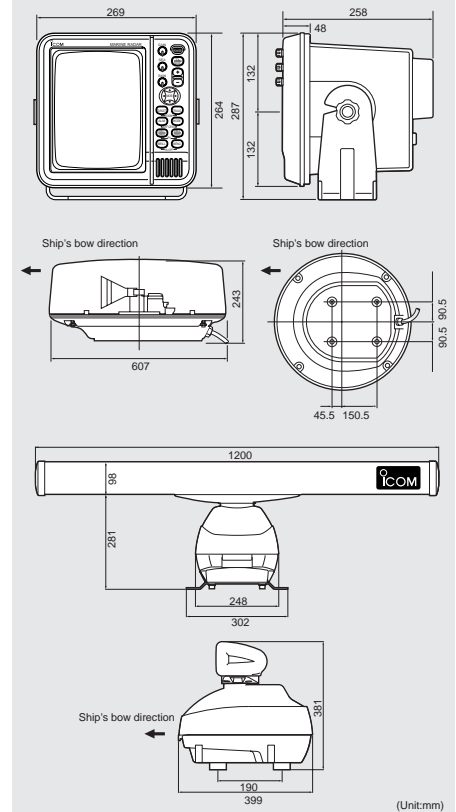
- | | | | |
|-----------------------|--------------------------------------|----------------------------|---------------------------|
| • Display type | : 10" monochrome CRT | • Power consumption : | |
| • Resolution | : 640x480 dots | MR-1000RII | 60W (approx.) |
| • Minimum range | : 25m (1/8 NM range) | MR-1000TII | 70W (approx.) |
| • Maximum range : | | • Operating temp. range | |
| MR-1000RII | 36NM | | : -15°C to +55°C |
| MR-1000TII | 48NM | • Unit of distance | : NM (nautical mile), km |
| • Measurement range : | | • Dimensions | : 269(W)x264(H)x258(D) mm |
| (unit:NM) | 1/8, 1/4, 1/2, 3/4, 1, 1.5, 2, 3, 4, | (projections not included) | |
| | 6, 8, 12, 16, 24, 32, 36, 48* | • Weight (approx.) | : 6.5kg |
| | (* MR-1000TII only) | • Input data format | : NMEA 0183, N+1, AUX |
| • Preheat time | : 90sec. | • Output data format | : NMEA 0183 |
| • Power supply | : 10.2-42V DC | | |

SCANNER UNIT

- | | MR-1000RII | MR-1000TII |
|---|--|--|
| • Model Name | : MR-1000RII | MR-1000TII |
| • Type | : 60cm slotted waveguide array in radome | 120cm slotted waveguide array |
| • Rotation speed | : 24, 36, 48rpm typ. | 24, 36, 48rpm typ. |
| • Beamwidth | Horizontal beam : 4° typ. | 2° typ. |
| | Vertical beam : 22° typ. | 25° typ. |
| • Sidelobe | : -18dB typ. | -24dB typ. |
| • Polarization | : Horizontal | Horizontal |
| • Dimensions (projections not included) | : 607(Ø)x243(H) mm | 1205(d)/381(H) mm |
| | | (Diameter of rotation/height) |
| • Weight (approx.) | : 8kg | 17kg |
| • Operating temperature range | : -25°C to +70°C | -25°C to +70°C |
| • Frequency | : 9410MHz ±30MHz | 9410MHz ±30MHz |
| • Peak output power | : 4kW | 4kW |
| • Pulse-width/Reception rate | : 80nsec./2880Hz, 80nsec./2160Hz, 250nsec./2160Hz, 350nsec./2160Hz, 900nsec./720Hz | 80nsec./2880Hz, 80nsec./2160Hz, 250nsec./2160Hz, 350nsec./2160Hz, 900nsec./720Hz |
| • Modulator | : FET switching | FET switching |
| • Mixer and local oscillator | : Microwave integrated circuit | Microwave integrated circuit |
| • Intermediate frequency | : 60MHz | 60MHz |
| • IF passband width | : 10MHz, 3MHz | 10MHz, 3MHz |
| • Tuning | : Auto or manual | Auto or manual |
| • System cable | : 15m (49.2ft); OPC-1188 | 20m (65.6ft); OPC-1189 |
| | | (Peeled for connection with MR-1000TII.) |

All stated specifications are subject to change without notice or obligation.

DIMENSIONS



OPTIONS



OPC-1077

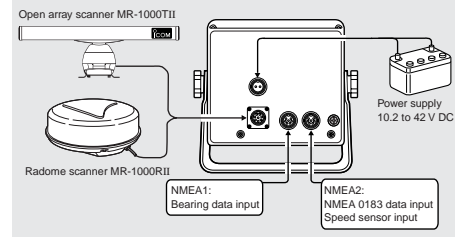
OPC-1077 SYSTEM CABLE

Allows you 20m (65.6ft) separate installation between the display unit and the scanner unit.

OPC-1078 SYSTEM CABLE

Allows you 30m (98.4ft) separate installation between the display unit and the scanner unit.

SYSTEM CONNECTION



Icom Inc. 1-1-32, Kamiminami, Hirano-ku, Osaka 547-0003, Japan Phone: +81 (06) 6793 5302 Fax: +81 (06) 6793 0013

URL: <http://www.icom.co.jp/world/index.html>

Count on us!

Icom America Inc.

<Corporate Headquarters>
2380 116th Avenue N.E., Bellevue, WA 98004, U.S.A.
Phone: +1 (425) 454-8155 Fax: +1 (425) 454-1509
URL : <http://www.icomamerica.com>
<Customer Service> Phone : +1 (425) 454-7619

Icom Canada

Glenwood Centre #150-6165 Highway 17,
Delta, B.C., V4K 5B8, Canada
Phone: +1 (604) 952-4266 Fax: +1 (604) 952-0090
URL : <http://www.icomcanada.com>

Icom (Australia) Pty. Ltd.

A.B.N. 88 006 092 575
290-294 Albert Street, Brunswick, Victoria, 3056, Australia
Phone: +61 (03) 9387 0666 Fax: +61 (03) 9387 0022
URL : <http://www.icom.net.au>

Icom New Zealand

146A Harris Road, East Tamaki, Auckland, New Zealand
Phone: +64 (09) 274 4062 Fax: +64 (09) 274 4708
URL : <http://www.icom.co.nz>

Icom (Europe) GmbH

Communication Equipment
Himmelgeister Str. 100, D-40225 Düsseldorf, Germany
Phone: +49 (0211) 346047 Fax: +49 (0211) 333639
URL : <http://www.icomeurope.com>

Icom Spain S.L.

Ctra. de Gracia a Manresa Km. 14,750
08190 Sant Cugat del Valles Barcelona, Spain
Phone: +34 (93) 590 26 70 Fax: +34 (93) 589 04 46
URL : <http://www.icomspain.com>

Icom (UK) Ltd.

Unit 9, Sea St., Herne Bay, Kent, CT6 8LD, U.K.
Phone: +44 (01227) 741741 Fax: +44 (01227) 741742
URL : <http://www.icomuk.co.uk>

Icom France S.a

Zac de la Plaine, 1, Rue Brindejonec des Moulinais
BP 5804, 31505 Toulouse Cedex, France
Phone: +33 (5) 61 36 03 03 Fax: +33 (5) 61 36 03 00
URL : <http://www.icom-france.com>

Asia Icom Inc.

6F No. 68, Sec. 1 Cheng-Teh Road, Taipei, Taiwan, R.O.C.
Phone: +886 (02) 2559 1899 Fax: +886 (02) 2559 1874
URL : <http://www.asia-icom.com>

Beijing Icom Ltd.

1305, Wanshang Plaza, Shijingshan Road, Beijing, China
Phone: +86 (010) 6866 6337 Fax: +86 (010) 6866 3553
URL : <http://www.bjicom.com>



Icom Inc. (Japan), is an ISO 14001 certification acquired company.

Your local distributor/dealer: